

# [A Practical Guide to 'Free Energy' Devices](#)

Part PatD19: Last updated: 2nd September 2006

Author: Patrick J. Kelly

This patent covers a device which is claimed to have a greater output power than the input power required to run it.

Patent WO8300963

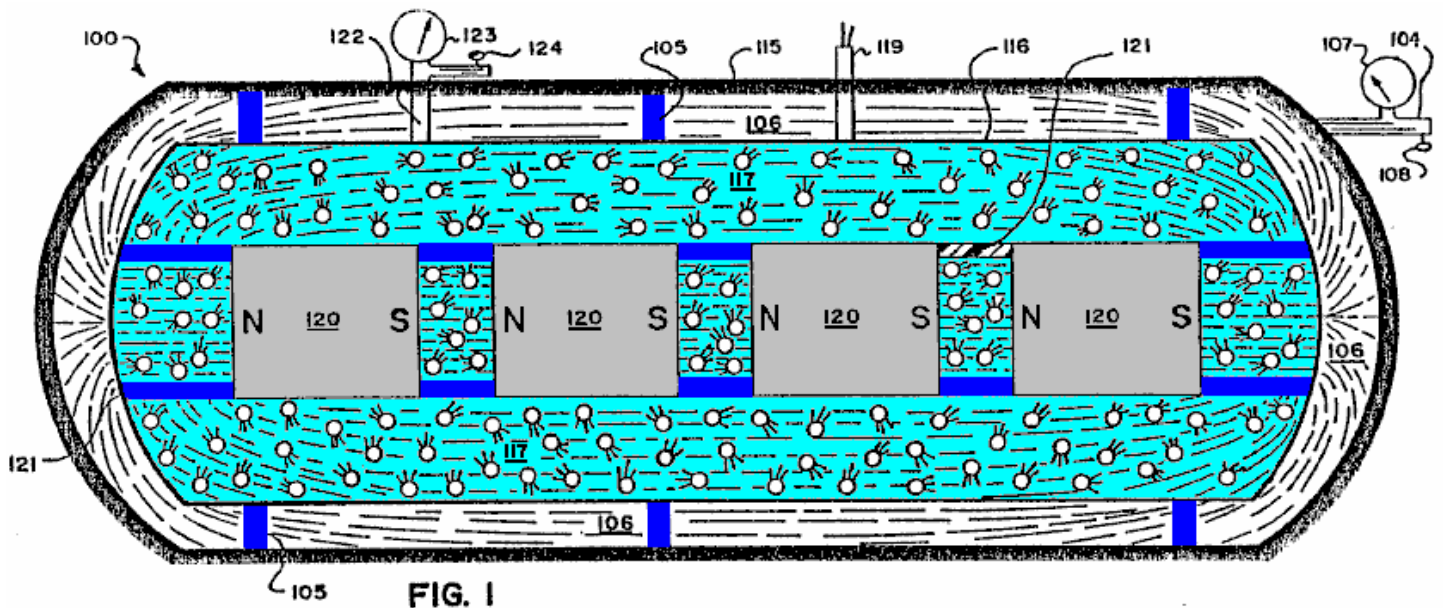
17th march 1983

Inventor: Joseph W. Newman

## ENERGY GENERATION SYSTEM HAVING HIGHER ENERGY OUTPUT THAN INPUT

### ABSTRACT

A system for generating obvious work motion, or electromagnetic energy (fields of force) or electric current utilising the electromagnetic energy which makes up a matter and results in a greater output of energy, than the initial input of conventional energy means and teachings. A first exemplary embodiment (**Fig.1**) of the generator uses a contained fluid (**117**) surrounding a series of aligned magnets (**120**); while a second exemplary embodiment (**Fig.3**) uses a special material (**201**) held stationary between two static magnets (**202, 203**), the special material having its atoms aligned but maintaining the resulting magnetic field at least substantially within its boundary surface; while third and fourth exemplary embodiments (**Fig.5** and **Fig.6**) utilise a relatively heavy coil (**205**) made up of relatively large diameter wire of relatively great length and number of loops and length and a relatively small energising current to drive a rotatable permanent magnet (**200**).



### DESCRIPTION

#### **BACKGROUND OF THE INVENTION:**

##### **1. Field of the Invention:**

The present invention relates generally to devices or systems (including methods) for generating usable energy such as for example electrical energy from electromagnetic fields, electrical energy or electromagnetic fields from matter, and more particularly to devices or systems (including methods) for producing electrical current flow for use as electrical power, and magnetic fields of force which cause motion (obvious work) or electrical current flow or for increasing electromagnetic potential energy available for use or mechanical energy available for use.

## **2. Prior Art:**

There have been many devices proposed over the years for producing electrical-energy, with mechanical friction, thermo-electricity, photoelectricity, piezoelectricity, electrochemistry and electromagnetic induction being the chief forms of primary energy capable of producing electricity. Of these, the only significant source of commercial electrical power has been the mechanical actions of electric generators, and for mobile electric power the chemical action of batteries has been important. Usable motion has resulted from the interactions between the input of electrical energy and the magnetic and/or electromagnetic fields of force (electric motors) and heat or light as a result of input of electrical current through conventional mechanical systems, heaters, lightbulbs, etc.

All of the prior art systems are designed accordingly to rigid mathematical laws taught both in physics and electrical engineering which coincide with the hypothesis rigidly accepted by the industrial and scientific communities concerning the Second Law of Thermodynamics (1850).

From the foregoing generally accepted hypothesis it has also been generally accepted and rigidly taught in physics and electrical engineering that the electric current flowing in a closed circuit from a battery, electric generator, etc.

is used up in the mechanical device being operated by this flow of electric current, and that all such electric current producing systems would only put out at most work equal to the work initially put into the system, or in accordance with generally accepted laws stating that a particular electrical generating system was only capable of a given output of energy and no more.

These beliefs have till this date still remained rigid in both the industrial and scientific communities in spite of proof of Einstein's equation  $E=mc^2$ . Nuclear reactors convert matter into usable electromagnetic energy in the form of heat, which converts water into steam to turn conventional turbines for production of electric current by conventional electrical generating means. This system is extremely inefficient using less than 1% of the energy of the atom and producing a deluge of contaminated materials which has caused a serious problem as to safe disposal.

Additionally, the basic electrical generators in use throughout the world today utilise the principle of causing relative movement between an electrical conductor (for example a rotor) and a magnetic field produced by a magnet or an electromagnet (for example a stator), all using the generally accepted hypothesis that the greater the relative speed or movement between the two are concerned and the more normal or perpendicular the relative movement of the conductive material to the lines of force of the electromagnetic field, the greater will be the efficiency of the prior art electrical generator. Additionally, all of the prior art systems are based on the generally accepted hypothesis that the greater the electrical conductivity of the material being moved through the field, the more efficient will be the electrical generation.

From the foregoing generally accepted hypotheses, it also has been generally accepted that there should always be movement between, for example, the rotor and stator elements, and that only generally accepted electrical conductors, that is materials with high electrical conductivity, will effectively serve in an electrical generation system.

However, in one of the systems (**Fig.3**) of the present invention, electrical generation can occur with relatively static elements and with materials that are not generally considered to be of high electrical conductivity, although, of course, the present invention likewise can utilise relatively moving elements as well as materials of generally accepted high electrical conductivity, if so desired, as occurs in the systems of the present invention illustrated in **Fig.5** and **Fig.6**.

The prior art has failed to understand certain physical aspects of matter and the makeup of electromagnetic fields, which failure is corrected by the present invention.

## **BRIEF DESCRIPTION OF DRAWINGS**

For a further understanding of the nature and objects of the present invention, reference should be had to the following detailed description, taken in conjunction with the accompanying drawings, in which like parts are given like reference numerals and wherein:

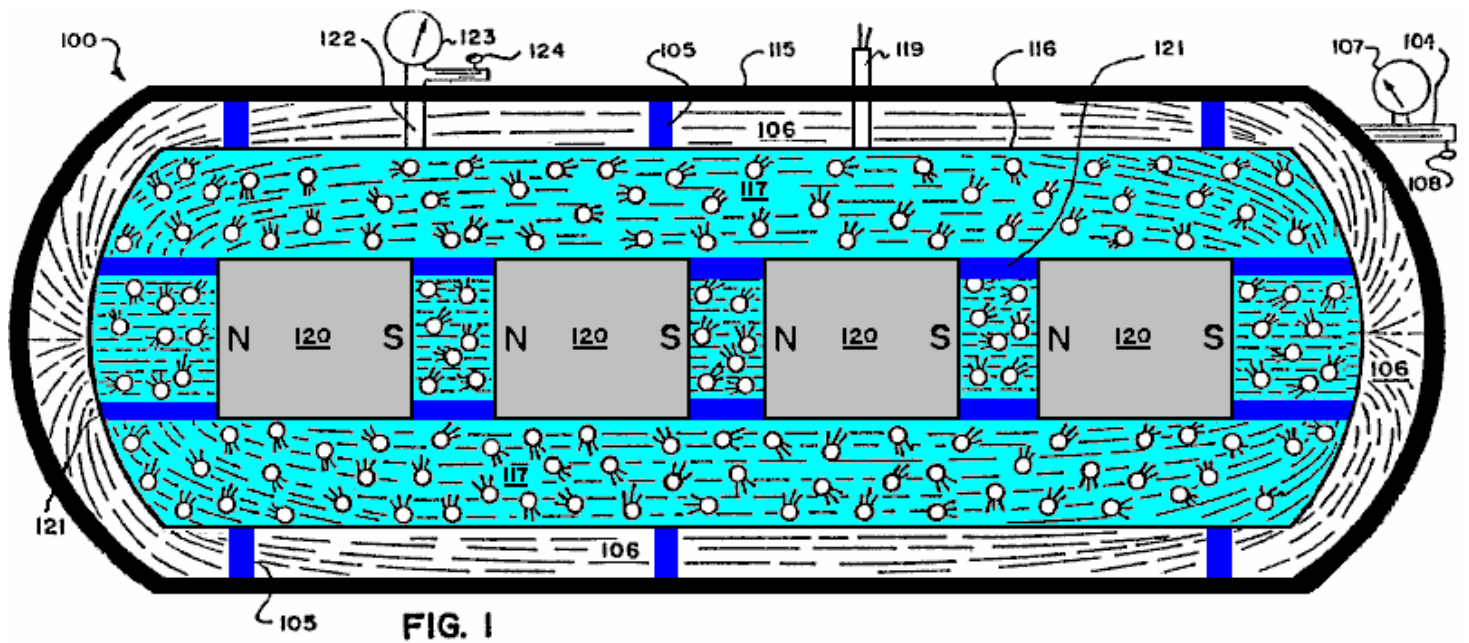


FIG. 1

Fig.1 is a schematic, side view in generalised, representational form of a first embodiment of an electrical generator based on the principles and guidelines of the present invention.

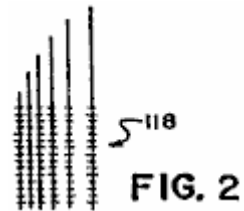


FIG. 2

Fig.2 is a close-up view in general form of an electrical charge pick-up element which can be used in the generator illustrated in Fig.1.

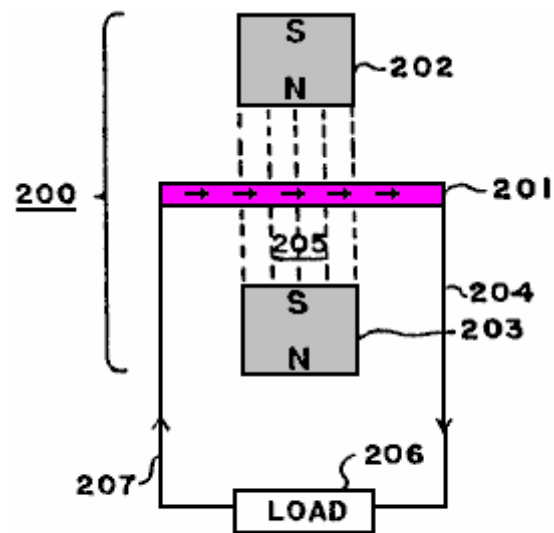
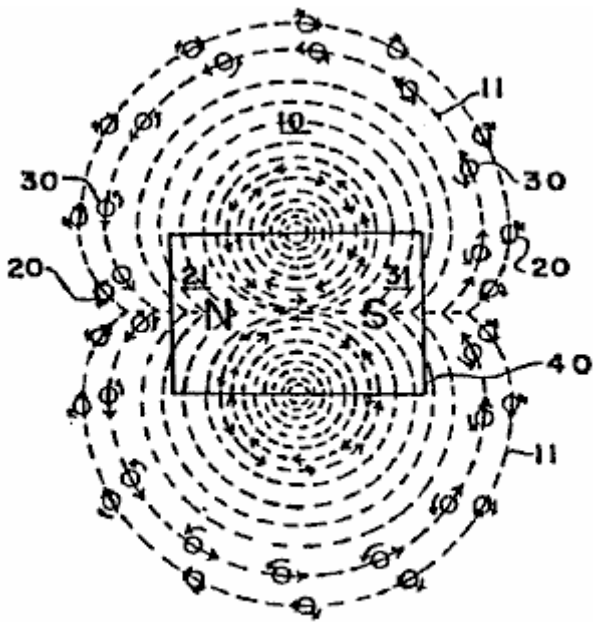


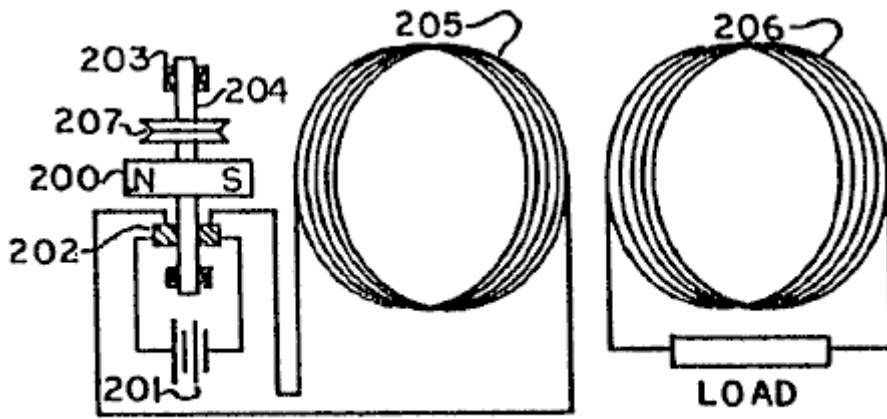
FIG. 3

Fig.3 is a schematic view in generalised, representational form of a second embodiment of an electrical generator based on the principles and guidelines of the present invention.

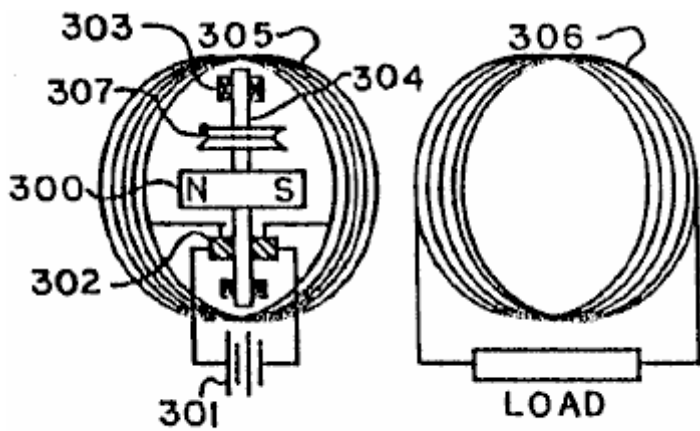


**FIG. 4**

Fig.4 is a schematic view in generalised, representational form of the negative and positive particles exhibiting gyroscopic actions which emanate from a magnet to form an electromagnetic field.



**FIG 5**



**FIG 6**

Fig.5 and Fig.6 are schematic views in generalised, representational form of third and fourth embodiments of a combined electrical generator and motor utilising a static, relatively large coil energised by a relatively low current driving a rotatable magnet, wherein in the embodiment of Fig.5 the rotatable magnet is positioned along side of the coil and in the embodiment of Fig.6 the rotatable magnet is positioned within the open core of the coil.

## DETAILED DESCRIPTION OF-PREFERRED EMBODIMENTS:

### **-Basic Principles and Guidelines**

In accordance with the principles of the present invention and as generally illustrated in **Fig.3**, an electromagnetic field **10** comprises flows of quanta or particles **20, 30** of electrical energy flowing from each of the poles **21, 31** of a magnet (or electromagnet) **40** to the other pole, following the "lines of force" **11** of the electromagnetic field. These particles **20, 30**, believed to be travelling at the speed of light, are always coming out of one end **21, 31**, respectively, of the magnet **40** and going into the other pole **31, 21**, respectively, flowing from a relatively high energy source to a low energy source.

These particles **20, 30** are, it is believed, negative and positive charges and have a spin producing a gyroscopic motion and follow the mechanical laws of gyroscopic action.

The mass of each of the particles **20, 30** equals the energy of the particle divided by the speed of light squared. The peripheral speed of the gyroscopic spin of the particles is believed to be the speed of light.

For purposes of illustration only and as a matter of nomenclature, the positive charge particle **20** is going in one direction ("N" to "S") with a clockwise spin, and the negative charge particle **30** is going in the opposite direction with a counter-clockwise spin. Of course, if a particle such as **20** or **30** is flipped around one-hundred-and-eighty degrees, it becomes the opposite charge or type of particle.

The electromagnetic field **10** is thus the orderly flow of the positive and negative charges **20, 30** moving at the speed of light from the north and south poles **21, 31**, to the south and north poles **31, 21**, respectively, and follow the paths of what is termed in the art as the "lines of force" **11** of the electromagnetic field **10**.

As is known from the laws of gyroscopes, a gyroscopic particle or body moves at right angles to the direction of an applied force. Therefore, when a force is applied to the electrical energy particles **20, 30**, they will move at right angles to that force.

It should also be noted from known gyroscopic laws that the electrical energy particles **20, 30**, when they move with their gyroscopic axis straight into an object, tend to knock that object straight, but, if that object hits the particles at an angle to the axis other than at zero or one-hundred-and-eighty degrees, the particles are moved off at an angle from the straight.

Additionally, it is noted that a magnetic field caused by a current flowing through a wire comes from negative and positive particles, such as **20, 30**, with a net flow of such particles going in the same direction but with opposite spin.

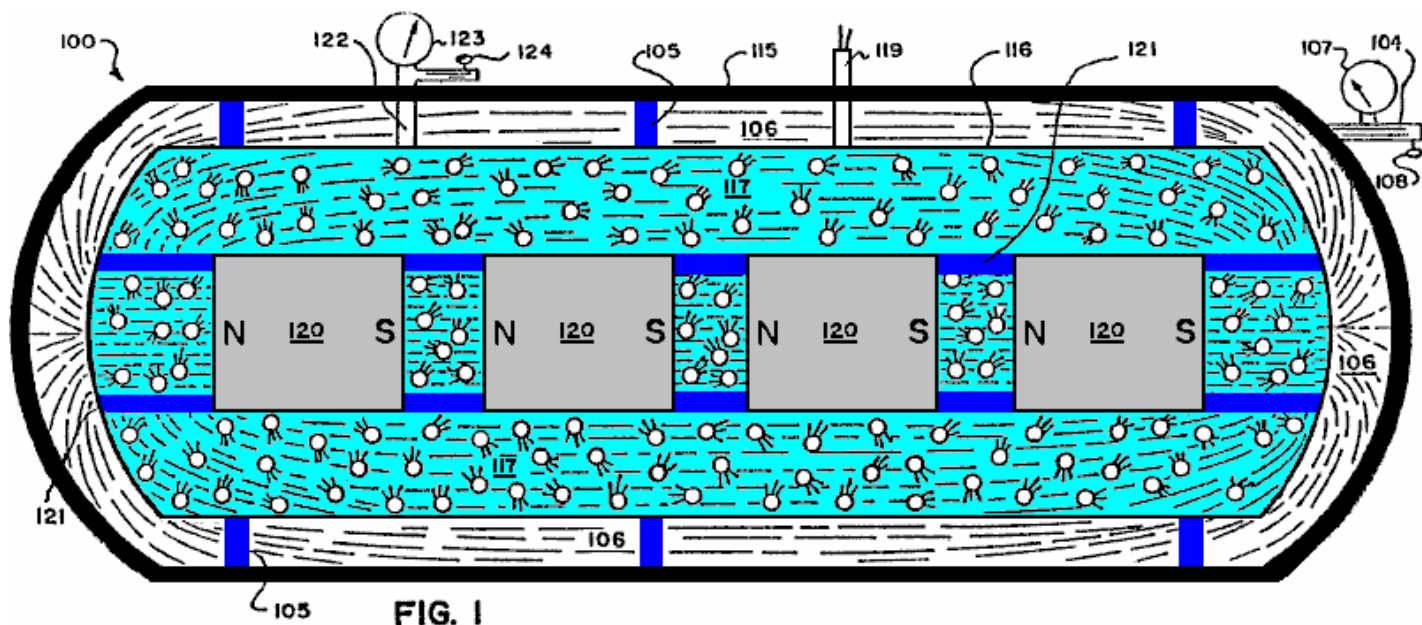
In the system and method of the present invention, the foregoing principles serve as guidelines in the present invention.

Reference is further had to pages DD23 through DD27 of the Disclosure Document and to page 8, line 26 through page 11, line 23 of the prior application Serial number 25,907 and its Figures 7 - 10.

From the foregoing disclosures, many different devices, structures, and methods are possible to embody the principles and guidelines of the system of the present invention, which will in general utilise a material or substance or structure to place a force at the proper angle to the gyroscopic particles **20, 30** wherein the particles **20, 30** follow a path or paths which do not cancel one another out, thereby producing electrical current at appropriate outputs for further use or for increasing available potential electrical energy for ultimate use.

### **-First Embodiment (Fig.1)**

One possible, exemplary embodiment using the principles of the system of the present invention is schematically shown in the generalised illustration of **Fig.1**.



**FIG. 1**

As illustrated in **Fig.1**, there is provided an electrical current generator **100** comprising an outer keeper housing **115** and an inner, pressure containing, closed housing **116** supported therein by insulating supports **105**. A vacuum exists in the area **106** between the two housings **115**, **116**, which vacuum is regulated and induced by means of the vacuum line **104** with its gauge **107** and its control valve **108**. The outer housing **115** acts as a keeper for magnetic fields of force, and can be made for example of soft iron, while the vacuum in area **106** prevents the leakage or discharge of static electrical charges which might build up on the exterior of the inner housing **116**.

A gas or gas-liquid mixture **117** which may also include solid particles such as for example lead or brass filings, is included within the inner housing **116** surrounding a series of aligned magnets **120** carried by insulating braces or supports **121** and producing a high, combined electromagnetic field. The magnets **120**, which can for example be cryogenic magnets, have their "north" and "south" poles aligned (as illustrated by the "Ns" and "Ss") so that their magnetic fields reinforce one another.

The level of the gas or gas-liquid mixture **117** in the housing **116** is regulated by means of the line **122** with its gauge **123** and control valve **124**. Electric current output wires **119** are provided and extend down to electrically connect with a wire pick-up system **118** (shown in close-up in **Fig.2**), which can be for example in the form of very small wires forming a closely spaced network or mesh or of a porous conducting metal body or sheet, located in and extended throughout the fluid **117** in the housing **116**.

It is noted that a thimbleful of gas contains a fantastically large number of extremely tiny bodies which are in continuous, random motion moving at extremely high speeds. Hence, the fluid **117** continuously applies a force to the gyroscopic particles (analogous to particles **20**, **30** of **Fig.3**) moving at the speed of light ' in the high electromagnetic field (produced by the magnets **120**) as they continuously collide with each other, which results in the fluid **117** becoming electrically charged. The charged fluid **117** discharges its electrical charge to the pick-up wire network **118** positioned in the fluid, and the electric current so produced and generated is taken off for use via the electrical output wires **119**.

As an alternative to having internally contained magnets **120**, the electromagnetic field needed in the fluid **117** could be produced by a source located outside of the confines of the fluid **117** as long as a significant field was produced within the fluid **117**.

### **-Second Embodiment (Fig.3)**

A further exemplary, generalised embodiment utilising the principles of the system of the present invention is shown in schematic form in **Fig.3**.

The electrical current generator **200** of **Fig.3** comprises an extended member **201** of a special material having its atoms especially aligned to produce electric current when positioned in an electromagnetic field but which does not on its own exhibit any substantial magnetic field outside of its boundary surfaces but substantially contains the field within itself. This is in contrast to "magnetic" materials which likewise have atom alignment but which also exhibit or produce a substantial magnetic field in the area surrounding it.

The generator **200** further comprises for example two magnets **202**, **203**, with their north and south poles facing each other, with the member **201** positioned between them, and with the three elements **201-203** held static with respect to each other. Because of the special nature of the material of the member **201** and its special atom alignment, it will

produce a direct current through output line **204** as a result of the gyroscopic actions of the particles of the electromagnetic field **205** produced by the facing magnets **202, 203**, on the especially aligned atoms in member **201**, which phenomenon occurs even when and even though the member **201** is completely static with respect to the magnets **212, 203**.

However, it may be desirable in some applications to allow or produce some relative movement between the generator elements **201-203**. The output line **204** extends to an appropriate "load" **206** for using the electrical current generated by the generator **200**. A return line **207** completes the circuit back to the member **201**.

Based on experiments to date, it is believed that brass and lead are materials which can have their atoms especially aligned to interact with the gyroscopic particles (analogous to particles 20, 30) flowing between the magnets 202, 203 and will substantially contain within their surface boundaries the magnetic field produced by the aligned atoms or molecules.

With respect to producing the proper material with atom alignment for the member **201**, it is noted that most materials seem to align their atoms in random directions when formed by conventional methods of production. However, it can be observed that certain materials can be made magnetic by putting the material in an electromagnetic field while cooling from a temperature of around a thousand degrees Centigrade. The magnetism is the result of atom alignment of the material in a given direction (see pages DD19 through DD21 of the Disclosure Document). All materials are affected so as to align parallel or across lines of force when in a powerful electromagnetic-field. Accordingly, if a material while being formed is cooled in an extremely powerful electromagnetic field, the atoms of the material will take a particular alignment. The atom alignment direction could be varied depending on whether the electromagnetic field was aligned with the material or at a ninety degree angle to the material. This would result in the atoms of a material having their particular electromagnetic spin direction primarily along the same axis.

However, merely having atom alignment is not sufficient. Additionally the material for the invention should be such that it exhibits very little if any magnetic field in the area surrounding it. Thus it should be noted that the exterior electromagnetic field that occurs from the atom alignment of the conventional magnet is not duplicated in the material of the invention, because the electromagnetic energy resulting from atom alignment in the material of the invention will be primarily contained within the boundaries of the material. It is believed that lead, made superconductive by immersion in a bath of for example liquid helium, is such a special material and could for example serve as the material for member **201**.

This then results in having a material which would place a force at the proper angle on the gyroscopic type particles moving in the electromagnetic field so as to cause an EMF to be produced even when the material was sitting still. (See also first paragraph of page DD23 and paragraphs four, A through E, of page DDI9 of the Disclosure Document).

It is believed that high, contained pressures, as well as other methods, can also probably produce atom alignment as the atoms of a conductor or any material will react to sufficient external force. (See first paragraph of page DD35 of the Disclosure Document). This possibility is also indicated by the fact that hard knocks or impacts will demagnetise a magnet.

The proper procedure of material production in achieving atom alignment with internally contained fields of force will cause the controlled release of electrical energy in electromagnetic fields of force when the material of the invention is placed in the lines of force of the electromagnetic field.

### **-Third and Fourth Embodiments (Fig.5 and Fig.6)**

#### **A. Related Principles**

1. Numerous scientific tests and experiments made by the inventor indicate that the magnetic field resulting from an electrical current flowing through a conductor is the result of atom alignment within that conductor at an extremely high speed with an ability to reverse atom alignment just as rapidly without the magnetic hysteresis associated with conventional materials considered "magnetic." Prior to this time it has been believed and taught by the scientific community that the magnetic field associated with an electric current carrying conductor was the result of the electric current itself and not of the conductor material, for example copper, which was considered to be "nonmagnetic." Even the inventor was influenced and misled by these teachings and attempted to mechanically explain and justify the prior teachings, as is seen on page DD-27 of the Disclosure Document which is an important part of this patent application.

However, as taught in the present invention, what mechanically happens is that the gyroscopic particles making up the electric current moving in a conductor interact with the electromagnetic makeup of the atoms of the conductor, causing them to align extremely rapidly, thereby then releasing some of their electromagnetic make-up in the form of a magnetic field exactly as explained in great detail for conventional magnetic materials in the Disclosure Document.

This is easily proven and understood by taking for example, a size 14-gauge conductor one foot long, winding it into a coil and connecting the coil to a meter and a 1.5 volt battery. The total current registered on the meter will be 1.5 amps and the strength of the magnetic field created from the short conductor will be extremely small. Next, the same type of test is run again but with the length of the conductor increased to for example two thousand feet, but still in a coil. The total

current registered on the meter will now be considerably less, but the strength of the magnetic field given off from the conductor will now be extremely large!

This shows that the magnetic field is not from the electric current flow, but is the result of the interactions of the gyroscopic particles which make up the electric current interacting with the atoms of the conductor! This causes the gyroscopic particles of the electric current not to be able to make the circuit back to the battery so quickly, and therefore the meter shows less current used.

The magnetic field is the result of the atom alignment of the conductor. The more atoms in a conductor (up to a point), the stronger the magnetic field produced from a given amount of electric current input. Again, this is proven by changing the diameter of the conducting wires, and, with the lengths being the same, the strongest magnetic field will result from the conductor with the largest diameter. The reason for this is that there are more conducting atoms to interact with the gyroscopic particles of the electric current moving through the conductor, which results in a greater number of conducting atoms being aligned, thereby then releasing some of their electromagnetic make-up, exactly as has been explained in great detail in the Disclosure Document as being possible for all matter.

If the magnetic field produced was strictly based on the amount of current going through a conductor, as taught in the prior art, then the strongest magnetic field would result when current went through a large diameter and short length conductor, because the current flow through the entire circuit is greatest at that time. However, experiments prove that the shorter a conductor is made, the greater the current flow through the entire circuit and the less strength of the magnetic field surrounding that conductor. The longer that same conductor is made (up to a point), the greater the magnetic field surrounding the total mass of the conductor and the less current that makes the complete circuit of the entire system. Reason: more atoms!

**2.** Numerous scientific tests and experiments made by the inventor also indicate that the magnetic field created when an electric current moves in a conductor does not use up measurable energy when performing obvious or non-obvious work, force or power. This is true no matter how strong or how immense the power of the motor or electromagnets is.

Reason: the magnetic field coming from the conductor is the result of extremely quick atom alignment within that conductor. Therefore the energy in the magnetic field is the energy that makes up the atoms of the conductor! This energy is literally Einstein's equation of  $E=MC^2$ , and therefore the energy is believed to be moving at the speed of light.

This energy use cannot be measured by today's measuring instruments. This has been explained in great detail in the Disclosure Document and is believed to be true of all matter!

**3.** The same is true for the electric current that comes from a conventional battery. The electromagnetic energy coming from the battery is the energy that makes up the atoms of the material of the battery! Again this energy use is not measurable by today's measuring instruments. Electric meters of all types are simply mechanical devices which measure the amount of electric current that comes into that instrument. They do not measure the amount of mass that has been converted into electromagnetic energy.

Present teachings in science state that the electric energy flowing from a battery is used up in the device operated by that flow of electric current. This is not true at all! The electromagnetic energy released from the atom make-up of a battery has a relatively infinite capacity to do obvious work, force, or power.

This is easily proven even with a small motor and a 1.5 volt battery. With a battery connected to motor to operate it and with a meter to take readings, the motor is then physically stopped from turning by physically holding or restraining the shaft. At that moment the motor is performing no obvious work, force or power, but the meter will register a greater flow of current. The magnets of the motor can be taken out and the reading will still be the same. If the electric current was being used to operate the motor, the meter would register more current when the motor was running.

The electric current not only will operate the motor but, once it flows through the complete circuit back to the battery, it also does additional work based on Faraday's Laws of Electrolysis within the battery itself. What has happened is that the electromagnetic energy released from the atoms of the material of the battery once they have completed the circuit, then take a "short cut" and move large pieces of the mass of one material of the battery over to the other material of the battery. The inventor has stated and shown throughout the Disclosure Document that the effect of gravity was the non-obvious effect of electromagnetic energy. Once the materials of the battery have combined, the extreme desire for the two materials to merge is physically reduced. These materials will attempt this merger anyway possible and, if the electric current initially released from a battery is not allowed by mechanical means to complete the circuit back within itself, the electromagnetic energy then in the mechanical means will perpetually (in a relative, theoretical sense) perform obvious work, force or power. The reason: the force which initiated this flow of current (electromagnetic make-up of atoms of material) is constant, similar to hydraulic pressure, with the noticeable exception that it is moving it is believed at the speed of light and will interact with the electromagnetic make-up of the atoms of other materials, causing them to release some of their electromagnetic make-up in the form of a magnetic field. This then multiplies the capacity for doing obvious or non-obvious work, force or power, which can then react with another conducting coil or with the electromagnetic energy within the magnetic field of a conventional magnet and multiply this effect even further, and on and on and on for a relatively unlimited source of energy.



The same is true in not letting the current get back to a conventional generator. If a mechanical means is set up so that the electric current is "trapped," without completing a circuit, the gyroscopic particles of the current have a capacity for continuous work without increasing the power input into the generator system. However, if the circuit is complete and the electric current moving in the system does absolutely no obvious work, power or force, the gyroscopic particles making up the current on getting back to the generator will then increase the need for more power input into the system. Reason: the opposing effect of magnetic fields as defined in Lenz's Law. This law is simply an observation of this effect, which before now has never been fully understood.

4. Numerous scientific tests and experiments made by the inventor also indicate that there is a correlation between the electromagnetic spin orientation of the atoms of non-conductors, semi-conductors, and conductors, and the varying results achieved with an electric current in attempting to move through these materials, or when moving these materials through a magnetic field attempting to induce electric current. The property of resistance to electric current movement is generally speaking the same type factor already explained above for electric current producing a magnetic field when moving in a conductor.

The gyroscopic particles in a moving electric current interact with the atoms of the material through which the current is moving. Each atom can efficiently only interact with an exact maximum amount of electric current, and, if exceeded, there is an interruption of orderly movement. Then the angle of release of the gyroscopic particles from the atoms are such that the electromagnetic release from those atoms are in the form of heat, exactly as explained in great detail in the Disclosure Document. This effect is easily observed by the fact that resistance decreases relative to an increase of the cross-section of the material. Reason: simply, more atoms within that given area, and, for a fixed input of electric current, there are more atoms to receive and interact efficiently with the gyroparticles making up the electric current.

Again the same is true for resistors designed for deliberately producing heat. Such resistors are not materials which are considered good conductors of electric current. It is stated and shown in great detail in the Disclosure Document that the electromagnetic spin orientation of the atoms of a non-conductor are different from that of conductor atoms, and therefore different results will occur from the same inputs of electromagnetic energy.

This is easily seen by the fact that, in a resistor, for a given amount of electric current input, the heat release increases as the diameter increases. What that means is that the property of resistance has decreased. On a conductor it is just the opposite. If the diameter is increased the resistance is decreased, but so is heat release. Again, this is an indication that the gyroparticles in the electric current movement interact with each atom of the material. This same effect shows up again in conventional electrical induction from a conductor interacting with a magnetic field. Experiments by the inventor have indicated that the property of conventional induction is the result of the same property of resistance.

If one increases the diameter of a conductor, lengths staying the same, one decreases the amount of electric current produced relative to the total number of atoms within the conductors under consideration. Or, if one takes a given number of wires of the same diameter and length, and moves a magnet across them, the current produced will be considerably less, than if one takes the same diameter wire, but only one wire, and increases its length considerably and then forms it into a coil forming the same number of wires on any one side and then moves the same magnet across only one side of that coil, the electric current generated will then be considerably greater. Reason: the property of resistance. This is the mechanical effect within the gyroscopic electromagnetic make-up and orientation of the atoms of all materials which have the mechanical ability to perform a given task efficiently up to a point concerning input of additional electromagnetic energy and then mechanically causes varying results once this threshold is exceeded.

This and all the other thoughts and innovations in this and the previous disclosures of the previous applications and the Disclosure Document previously put forth show that there are many different mechanical ways to release a relatively unlimited source of energy from electromagnetic energy which makes up all matter and which results from this invention.

## B. Working Prototypes

**Fig.5** and **Fig.6** illustrate rough, working prototypes of this aspect of the invention. These embodiments are only relatively inefficient prototypes built by hand for the purpose of demonstrating the invention. It should be self-evident that the prototypes, by various mechanical means and designs, can easily be made extremely efficient and the illustrated embodiments are being presented only for general, representational purposes.

As is illustrated in **Fig.5**, there is provided a combined electrical current generator and an electromagnetic motor comprising a rotatably mounted, permanent magnet **200**, a battery **201**, brushes and commutator **202**, bearings **203** and power, mounting shaft **204**, and a first, primary, magnetic producing coil **205** and a second, secondary electric producing coil **206**. The two coils **205**, **206** are juxtaposed together in parallel disposition with concurrent core centre-lines, with the magnet **200** positioned alongside of coil **205** at or near its core centre-line with the rotational axis of the shaft **204** positioned orthogonally to the centre-line.

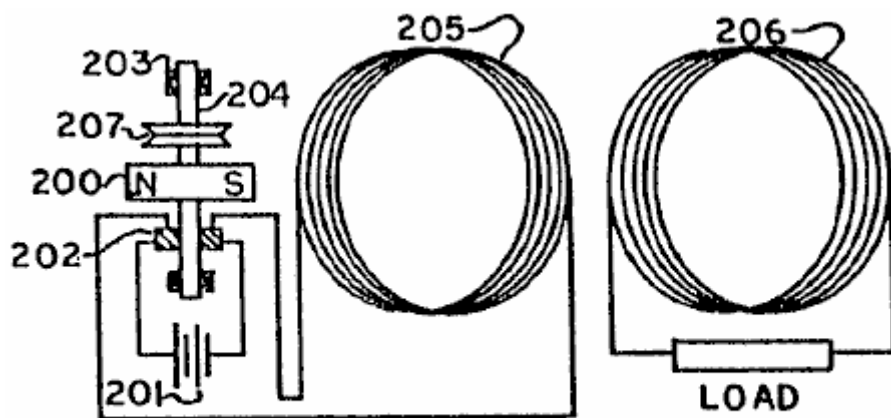


FIG 5

In the prototypes a very small battery **201**, for example, size "N", of 1.5 volts is used. When the circuit is completed, the battery **201** converts an immeasurable amount of its mass into electrical current (gyroscopic particles moving at the speed of light) which goes out through the communicator and brushes **202**, and then enters magnetic producing conductor coil **205** made, for example, from insulated 14-gauge or 15-gauge copper wire, with the total weight of the coil **205** being for example seventy to ninety pounds. This causes the atoms of coil **205** to align extremely fast then releasing some of their electromagnetic make-up (gyroscopic particles) in the form of a magnetic field. This field then interacts with the gyroscopic particles making up the magnetic field coming from the atoms of the material of the permanent magnet **200**.

This causes magnet **200** to attempt to align its magnetic field movement with the magnetic field movement coming from the atoms of coil **205**, resulting in rotation of magnet **200** and the shaft **204** to which it is attached. This then changes the position of the commutator and brushes **202** relative to each other's initial positions, which then causes the electric current coming from battery **201** to be going in the opposite direction into coil **205**, causing the atoms of coil **205** to extremely quickly reverse their alignment and the polarity of their magnetic field which they are emitting. The reversed field then interacts again with the magnetic field of permanent magnet **200**, causing it to further rotate.

This process is then continuously repeated, producing continuous rotation of the shaft **204** which can be used as a source of motive power in many different ways. A power belt wheel **207** for example using a continuous "V" belt is illustrated as a general representation of this motive power source for producing useful, obvious work. In a prototype test run with a small 1.5 volt, type "N" battery, the shaft **204** and the magnet **200** - rotated at a high speed for approximately twelve hours before running down. By improving the particular design features of the prototype and by using longer lasting batteries, the rotation time of the shaft **204** can be greatly increased to a theoretical point approaching "perpetual" for all practical purposes. At the same time the alternating magnetic field produced by the coil **205** induces into coil **206** electrical induction, which then causes coil **206** to produce an alternating current across its "load," which current can be made to exceed the conventional output of the battery **201**. The battery source **201** can be replaced when needed.

It is very important to understand that, the longer the length of the conducting wire in coil **205**, the stronger will be the magnetic field produced and the less electric current that will complete the circuit and get back into the battery and destroy the mechanical source of the electrical current. This effect can be increased further by increasing the diameter of the conducting wire in coil **205** and then greatly increasing its length still further in the coil.

Reason: The gyroscopic particles making up the electric current interact with the atoms of coil **205**. The more atoms in coil **205**, relative to it's length, the longer it takes the gyroparticles of the electric current to influence them and exit from the other end of the coil. It is then easily seen that if the direction of the current flowing into coil **205** is then reversed, this then further increases the lag time. Reason: The gyroscopic particles have inertia and are believed to be moving at the speed of light and they are interacting with the gyroscopic particles making up the atoms of the conducting coil **205**. These atoms also have inertia, and when the direction of current in coil **205** is reversed, the incoming current then collides with the current already in coil **205** going in the opposite direction.

This causes a brief hesitation during the time the current already in the coil is being forced to reverse its direction, thereby then reversing the direction of the atoms within coil **205** which have already been influenced to become aligned. This causes a constant force throughout the circuit, but does not allow very much current to get back into the battery **201** to destroy the mechanical means which initiated the release of electric current in the first place.

Therefore, it should be further understood that, the faster the current direction reverses into the coil **205**, the more efficiently the matter of battery **201** is converted into 2 pure electrical energy ( $E=MC^2$ ), without destruction of the mechanical situation that initiates the electrical current release.

It is also important to understand that, the stronger the magnetic field coming from the mass of magnet **200**, the greater will be its rotational speed. Additionally, the greater the magnetic field coming from the mass of coil **205**, the greater will

be the rotational speed of magnet **200**, and, up to a point, the greater the electric current input from battery **201**, the greater the rotational speed of magnet **200**.

Reason: the greater the electric current flow into coil **205**, the greater will be the percentage of the atoms making up coil **205** that are aligned. This probably has the same relationship as does achieving atom alignment in conventional magnetic materials. Once complete atom alignment is reached in coil **205**, no amount of current will cause those atoms to increase the strength of the magnetic field emitting from those atoms.

Therefore, it should be clear that, for a given input of electric current from battery **201**, the most efficient design is one in which the most atoms of coil **205** are influenced to atom alignment by that given electric current, which means increasing the diameter and the length of the conducting wire of coil **205** to the point that the strength of the magnetic field produced is sufficient to cause rotation of the magnet **200** to a speed that allows none or at least very little of the electric current which initially comes from the battery **201** to complete the circuit and get back into battery **201** and destroy or reduce the mechanical effect which induced the conversion of the matter of battery **201** in electric current in the first place. Again this desired effect can be increased by increasing the strength of the magnetic field given off by the atoms of the permanent magnet **200**.

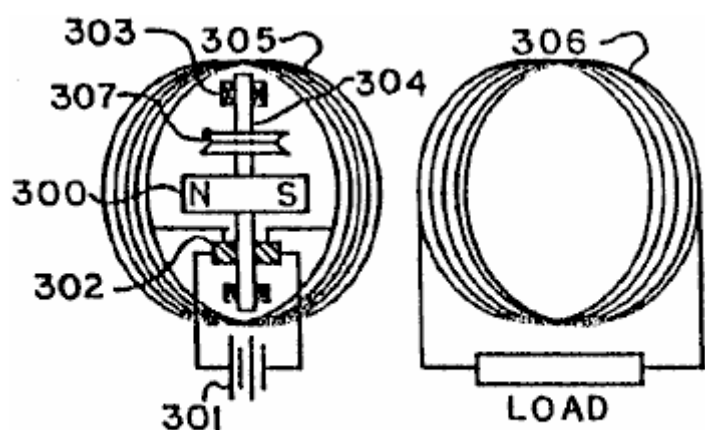


FIG 6

In the second prototype embodiment of **Fig.6**, the structure and operation of the prototype is substantially identical to that of **Fig.5** with the major exception being that the magnet **300**/shaft **304** elements (and related sub-elements **302**, **303** and **307**) are positioned inside of and within the core of the primary coil **305**, as compared to the placement of the magnet **200**/shaft **204** elements next to and along side of the coil **205** of **Fig.5**. Therefore, for brevity, a detailed description of the elements of **Fig.6** will not be repeated, but it is noted that the corresponding and analogous elements and sub-elements are similarly numbered in **Fig.5** and **Fig.6**.

It is also important to again stress the fact that the prototype designs shown are presented simply to prove the correctness of the invention, and it should be clear that the invention can be made extremely more efficient by utilising all of the magnetic field produced by coil **205** and designing the magnet **200** of a shape and strength that efficiently interacts with the majority of the magnetic fields from coil **205**. The illustrated prototypes is relatively highly inefficient in this regard, but even so, the results of the invention itself greatly exceed the prior art as to use of electric current from whatever source and interaction with an electric motor or whatever work was conventionally performed.

The applicant feels it is very important to again stress, in building many varying designs of this invention, consideration must be given to the fact that the Energy in the field of force of any type magnet is the Energy that makes up the Atoms of the material from which it comes! This Energy is a real Entity with, it is believed, a gyroscopic action. It is literally Einstein's Equation of  $E=MC^2$  and it is believed that this Energy moves at the speed of light and makes up all Matter. And that this Energy has a constant pressure effect back to the Atoms of the material from which it came, similar to hydraulic pressure. This effect is additionally more fully understood by stating the following results obtained from experimentation by the applicant in the process of this invention.

a) When the system is initially attached to a 1.5 volt size N Battery **201** or **301** and the magnet **200** or **300** and related rotation entities are placed close to or in the centre of coil **205** or **305**, the following results are observed:

If the electric current produced in coil **206** (**306**) is then fed back into coil **205** (**305**) in accordance with proper polarity, the rotation speed of magnet **200** or **300** will then accelerate. If fed back into coil **205** (**305**) in wrong polarity, the rotation speed of magnet **200** (**300**) will slow down.

This proves that the total force from coil **205** (**305**) interacting with the magnet **200** (**300**) is greater when the electrical energy from coil **206**(**306**) is fed back into coil **205** (**305**), then when only the initial electric energy from battery **201** (**301**) is fed into coil **205** (**305**)! When two or three batteries are electrically connected together in series, so as to create for

example three or four and a half volts of electrical input, this effect is multiplied. Remember, up to a point, the greater the electrical input, the greater the percentage of atom alignment within coil **205 (305)**.

This further proves that the electric current produced in coil **206 (306)** is a result of the gyroscopic particles of Energy released from the magnetic fields which came from the Electromagnetic make-up of the atoms of coil **205 (305)**, and is not part of the initial Electrical Energy released from the atoms making up the materials of battery **201 (301)**! The coil **206 (306)** can be taken out of the system, or its electrical current fed away from the system, and the rotational speed of the magnet **200 (300)** will not observably change. However, the rotational speed of magnet **200 (300)** will noticeably change when the electric current from coil **206 (306)** is fed back into coil **205 (305)**!

#### **Now a different result:**

**b)** When the electric current from battery **201 (301)** becomes weaker to the point that the magnetic field coming from coil **205 (305)** has weakened and shrunk allowing the magnetic field of the rotating magnet **200 (300)** to expand and then noticeably induce electric current into coil **206 (306)** and into coil **205 (305)**, then reverse results are observed. When the magnetic field from the coil **205 (305)** is large, then the magnetic field from magnet **200 (300)** is retained! If coil **206 (306)** is then short circuited, the rotation of magnet **200 (300)** will noticeably slow down.

If electric current from coil **206 (306)** is fed back into coil **205 (305)** in wrong polarity, the rotation of the magnet **200 (300)** will stop. If fed back into coil **205 (305)** in correct polarity, the rotation of the magnet **200 (300)** will slow down. At that point, the rotation of the magnet **200 (300)** will not accelerate, no matter how connected!

These results show that, at this time, the magnetic field from magnet **200 (300)** noticeably induces a current in coils **206 (306)** and **205 (305)** which opposes the rotation of the magnet **200 (300)**. This effect has already been mechanically explained, and it has been shown that Lenz's Law was simply an observation of that mechanical explanation. These results further demonstrate that the expanding and collapsing magnetic fields from coil **205 (305)** and **206 (306)** do not noticeably effect each other detrimentally.

Because the resulting magnetic fields from all the coils are the results of fluctuating atom alignment within the coils! Remember, the gyroscopic energy particles making up the magnetic fields have a hydraulic pressure effect back to the atoms from which they came. Also remember that the atoms making up the material of the permanent magnet **200 (300)** are stationary as to atom alignment direction! Therefore, the pressure effect resulting from an opposing field which the magnet **200 (300)** induced, is immediate. As is Hydraulic Pressure.

However, the magnetic field emitted from the atoms of coil **205 (305)** relative to induction into the atoms of coil **206 (306)** are fluctuating and out of step, so to speak, and therefore, in harmony with each other. The pressure effect from the induction of coil **205 (305)** into coil **206 (306)** is an action and reaction effect which reinforces the flipping action of the atoms of coil **205 (305)** and back into the atoms of coil **206 (306)**.

This action is again seen when the invention is hooked into one-hundred-fifteen volt alternating current, and battery **201 (301)** is not used. The magnet **200 (300)** will not rotate even though the magnetic field from coil **205 (305)** is strong and is alternating. Reason: The fluctuating magnetic field is so fast, that the inertia mass of magnet **200 (300)** can not get started in one direction before the magnetic field from coil **205 (306)** has reversed, thereby, causing magnet **200 (300)** to vibrate only microscopically at sixty cycles per second. And, if a sixty watt bulb is hooked into the system of coil **205 (306)**, it will only light dimly. And there is a lag time of two to three seconds before it lights even dimly.

If then coil **206 (306)** is hooked to a meter, there is a reading of forty-nine volts, and if the meter is replaced by another sixty watt bulb it will light only extremely dimly. However, the sixty watt bulb hooked to coil **205 (305)** will now become noticeably brighter! This again shows that the action and reaction results of the atoms of the coils are not noticeably detrimental to each other. Because of the lag time (out of step, so to speak), resulting in reinforcing the flipping atom alignment of the coils.

From this further explanation of the invention it is seen that desirable results may be obtained by the following:

For example, in **Fig.6** the magnet **300** may be of a design and/or be located at a distance from the inside diameter of coil **305** and coil **306**, whereby the majority of the magnetic field from the magnet **300** does not cut the conducting loops of coil **305** or **306**. Yet the alternating magnetic field produced by coil **305** should efficiently have the majority of its gyroscopic particles interacting with the majority of the gyroscopic particles making up the magnetic field of the permanent magnet **300**, but not directly reacting with the atoms making up coil **305**, or magnet **300**!

When the magnetic lines of force of the magnet **200 (300)** cross at right angles with the conducting wires of coil **205 (305)**, **206 (306)**, a braking action is incurred. It should be noted that, as the inner diameter of coil **205 (305)** increases, the percentage of time of braking effect decreases.

Along this same line of instruction, the commutator segments **202 (302)** can be made of a large diameter and the area of brushes made small, whereby, when the brushes cross over the gaps in the commutator segments, there will be no short circuit at any time directly back to the battery **201 (301)**.

By combining the slip rings and brushes (the slip rings can be made of a small diameter) to the side or sides of the brushes and commutator segments **202 (302)**, then battery **201 (301)** does not have to rotate with magnet **200 (300)**.

The 14-gauge and 15-gauge insulated copper wire weighing seventy and ninety pounds respectively (31.5 kilograms and 40.5 kilograms) used for the motor coil **205 (305)** and the generator coil **206 (306)**, respectively, in the first hand-made prototypes of the embodiments of **Fig.5** and **Fig.6**, for demonstration purposes only, come in standard buckets of varying weights from wholesale outlets.

It was then wound in coils as shown, and, as taught, the more conducting wire used, the better the results. The magnets **200** and **300** were each initially about a 2.5 inch (6.25 centimetre) cube and can be any size and strength desired.

In a further, rough, hand-built, demonstration, working prototype of the invention of the type illustrated in **Fig.6**, the primary or motor coil **305** was made of 5-gauge copper wire in a single, continuous wire, weighing approximately 4,100 pounds (1,845 kilograms) with a coil loop diameter of 4.5 feet (135 centimetres), while the secondary or generator coil **306** was made of 24-gauge copper wire in a single continuous wire weighing approximately 300 pounds (135 kilograms) with the same, approximate coil loop diameter of 4.5 feet (135 centimetres), with both coils **305, 306** coincidentally forming a cylinder of approximately 30 inches (75 centimetres) in length. The coils **305, 306** were built around a cylindrical, fiberglass core body of approximately 200 pounds (90 kilograms) having a vertical, longitudinal centre-line axis.

The rotating magnet **300** was made up of six, separate, parallel cylindrical magnetic columns spaced and disposed about the periphery of a hollow cylindrical fiberglass surface of approximately twenty inch (fifty centimetres) in diameter. Each column was 30 inches (75 cm.) long and was composed of a stack of 70, individual ceramic ring magnets in disc form as made by Jobmaster Magnets of Randallstown, Maryland, 21133, U.S.A. Each disc had a thickness of seven-sixteenths of an inch (1.09375 centimetres), an inner diameter of 1 inch (2.5 cm.) and an outer diameter of 4 inches (10 cm.). The discs were stacked and secured together in 4 inch (10 cm.) diameter fiberglass tubes longitudinally mounted on the inner surface of the twenty inch (fifty cm.) diameter fiberglass cylinder.

The composite magnet **300** had a total weight of approximately 400 pounds (180 kilograms) and a total length of 30 inches (75 cm.) and an approximate diameter of 20 inches (50 cm.).

The magnet **300** was mounted for rotation on a horizontal shaft **304** extending across the hollow core of the coils **305, 306** crossing through the centre point of the longitudinal centre-line of the cylinder and orthogonally to the longitudinal centre-line of the magnet **300** for rotation within the open centre area of the cylindrically disposed coils **305, 306** with the longitudinal centre-lines of the coils being vertically disposed.

With a D.C. battery source **301** of two 12 volt lantern batteries and seventeen 6 volt lantern batteries all in series (totalling 126 volts), a measured voltage of 126 volts and a measured current of 99 milliamps in the primary coil **305** were noted. Concurrently a voltage reading of 640 volts and an amperage measurement in excess of 20 milliamps were noted in the secondary or generating coil **306**, with the magnet **300** rotating at a speed of 120 revolutions per minute (rpm). Thus the system was outputting and producing in the generating coil **306** usable electrical energy in excess of 102% of that being inputted in the motor coil **305**! This excess useful electrical energy, of course, is in addition to the further useful mechanical energy available at the exemplary drive take-off **307** on the rotating shaft **304**, on which the 400 pound, 30 inch long magnet **300** was rotating at 120 rpm!

Thus the invention, by utilising the energy of the gyroscopic particles in the magnetic field, produces a greater energy output than the energy input into the system, thus producing results beyond presently accepted scientific teachings of the world.

This prototype achieves exactly what has already been described in great detail in applicant's prior patent applications. There was simply used in this prototype a stronger magnet and a larger diameter conducting wire of great length, that has a considerably greater number of atoms aligned when current is put into the system, and used a greater number of atoms in the generator coil of fine diameter conducting wire.

While the results of the energy released from this particular prototype is highly impressive to others, the applicant still has only scratched the surface of the energy that can be released using the principles of the present invention.

Again, as has already been stressed, the most efficient design, is one in which the least amount of input of current causes the greatest amount of atom alignment.

These data do not constitute any departure from applicant's previous work, but is only to further document that which has already been stressed in the prior patent applications.

Varying the D.C. voltage for the battery source **301** shows that obvious efficiency will continue to rise as the voltage input goes up! Also, the leverage factor advantage of the invention, combined with the inertia of the 400 pound magnet **300**

rotating at 120 rpm (even while causing the electrical generator to put out over 100% of energy input) proves the invention to be greatly over 100% efficient even at this slow rpm.

It is contemplated that the next prototype will use super-conducting type material for the coil **305** with a magnet **300** having a magnetic field strength comparable to that of cryogenic-type magnet relative to percentage of atom alignment or size. This will result in the size of the device being much smaller and yet with the available work output being much greater than the prototype just described. Reason: The most efficient type design is one whereby the least amount of current input into the motor coil produces the greatest atom alignment of said motor coil and having rotatable magnet also comparable in strength, relative to size.

The invention can be made without using the coil **206 (306)** and producing just useful mechanical energy.

Coil **206 (306)** can be merged or wound with coil **205 (305)**.

The magnet **200 (300)** can be an electromagnet, a permanent magnet, a cryogenic magnet or any magnet.

The design of magnet **200 (300)** can create a strong but retained magnetic field.

The design of coil **205 (305)** can be used to further retain the magnetic field of magnet **200 (300)**.

Alternating current (A.C.) can be used in place of the direct current (D.C.) battery **201 (301)**, if the magnet **200 (300)** is designed accordingly.

The coils **205 (305)** and **206 (306)** may be made up of several coils rather than a single coil.

The magnet **200 (300)** may be made up of several individual magnets rather than from just a single magnet.

From the foregoing it should be understood that, unlike the teachings of the prior art, the following is desired in the design of the coil **205/305** under the principles of the present invention:

- a) Current initially flowing into and through the coil should be small compared to the energy output of the system;
- b) A relatively large diameter wire or its equivalent is used for the coil;
- c) A relatively large number of coil loops or coils is used;
- d) A relative long, continuous length of coil wire or its equivalent is used; and
- e) The greatest magnetism for a given mass of the magnet **200/300** is desired but may be designed so that the magnetic lines of force will not cut the coils at a right angle.

The present invention applies to any mechanical device which is operated by electrical energy. In accordance with the principles of the present invention, the mechanical device should be designed wherein the electric current as much as is feasible cannot get back to its source, but the circuit is completed whereby the "pressure force" is constant throughout the system.

What has been invented, built and disclosed is an invention of immense importance to the well-being of the entire world. There will be many devices built from what has been shown and taught. It should now be known that all matter is made up of electromagnetic energy and that there are many mechanical ways to release this energy, as has been stated throughout the five prior, related patent applications hereof and the Disclosure Document. All of these future developments will be as a result of the present invention which - releases energy above and beyond conventional energy release mechanisms, prior to this invention.

Some of the basic approaches of the invention are outlined below:

1. Any device which utilises a means by which the electric current (electromagnetic energy) is retained within a member or members outside of the source of said original electric current and then, as a result thereof, is capable of producing a continuous electromagnetic motion or current if so desired beyond present scientific teachings.
2. Any device which releases the electromagnetic energy make up of matter to such an impressive degree as does this invention that it defies several of the present accepted laws of physics and electrical engineering as of this time.
3. That the energy release is noticeably higher and in some cases more controllable than the conventional means of energy release of this time.

Because many varying and different embodiments may be made within the scope of the inventive concept taught here, and because many modifications may be made in the embodiments detailed here in accordance with the descriptive requirements of the law, it is to be understood that the details given above are to be interpreted as illustrative and not in any limiting sense.

## **CLAIMS**

1. A usable energy generation system, comprising:

usable energy output means for making available for use the usable energy generated in the system; and usable energy generation means associated with said output means and designed to take into account the reaction to a force of the gyroscopic type energy particles and to utilise the gyroscopic type energy particles moving in a magnetic field for producing usable energy of an amount greater than the amount of energy input.

2. The system of Claim 1, wherein said generation means includes structural means for placing a force at an angle to the gyroscopic particles causing the particles to follow paths having a net directional effect, producing electric current flow.

3. The system of Claim 2, wherein said structural means comprises magnetic means and a closed housing associated therewith containing a fluid in the magnetic field produced by said magnetic means, said fluid becoming charged as a result of its interaction with the gyroscopic type energy particles making up said magnetic field.

4. The system of Claim 3, wherein said magnetic means is a series of aligned magnets positioned centrally within said housing but electrically insulated therefrom.

5. The system of Claim 3, wherein there is included a further, keeper housing completely surrounding said closed housing and electrically insulated therefrom, said keeper housing tending to keep and concentrate the magnetic field produced by said magnetic fields within it.

6. The system of Claim 3, wherein said output means includes a network of metallic surfaces immersed in said fluid to pick up the electrical charges on said fluid.

7. The system of Claim 2, wherein said structural means comprises a member having its atoms aligned to produce a net magnetic field which is at least substantially contained within the surface boundaries of said member.

8. The system of Claim 7, wherein said member is positioned in operative association to at least one magnet, and said member and said magnet are held static with respect to one another.

9. The system of Claim 1, wherein:

The usable energy generation system comprises an electrical energy generation system; said usable energy output means comprises an electrical power output means; and said usable energy generation means comprises electrical energy generation means.

10. The system of Claim 1, wherein:

the usable energy generation system comprises usable motion generation system; said usable energy output means comprises usable motion output means; and said usable energy generation means comprises usable motion generation means.

11. The system of Claim 1, wherein said generation means includes:

a magnetic device;

a source of electrical energy;

complete electrical circuit means between said magnetic device and said source of electrical energy for producing an alternating electrical current potential; and

current retarding means for retarding the flow of current through said device back to said source to the greatest extent practical, producing a relatively small and preferably negligible current flow through said source.

12. The system of Claim 11, wherein said magnetic device includes at least one relatively large coil of wire having a relatively large number of turns of wire of a relatively large diameter and a relatively great length.

13. The method of producing usable energy utilising a magnetic field system, comprising the following steps:

a. providing a structure interacting with a magnetic field; and

b. arranging said structure to utilise the energy of the gyroscopic type particles in the magnetic field to generate an electrical current in said structure, or usable motion from said system, or both, and results in producing a greater energy output than energy input into the system.

14. The method of Claim 13, wherein there is included in step "b" the further step of arranging said structure to place a force at an angle to the gyroscopic particles cause the particles to follow paths having a net directional effect, producing electric current flow, without any normal, visible movement taking place in the system.

15. The method of increasing the availability of usable electrical energy or usable motion, or both, comprising the steps of:

**a.** providing a magnetic device for producing usable electrical energy or usable motion, which device includes a material through which electrical current can interact producing a magnetic field which interacts with a separate mass having a magnetic field, and further providing a source of electrical energy such as for example a battery, generator, or any other;

**b.** providing a complete electrical circuit between said magnetic device and said source of electrical energy and producing from said source to said device an alternating electrical current potential; and

**c.** retarding the flow of current through said device back to said source to the greatest extent practical, producing a relatively small and preferably negligible current flow through said source and resulting in electrical energy output, or usable motion output, being a greater energy output than energy input into the device.

**16.** The method of Claim 15, wherein step "c" is achieved at least in part by the step of providing in said device a relatively large coil or coils of wire having a relatively large number of turns of wire of a relatively large diameter and a relatively great length.

**17.** The method of Claim 15, wherein step "c" is achieved at least in part by the step of utilising a means by which the electric current is retained within at least one member outside of the source of said original electric current and then, as a result thereof, is capable of producing a continuous electromagnetic motion or current.

**18.** The method of claim 15, wherein there is included the step of providing a separate magnetic source positioned so that its magnetic lines of force avoid significantly cutting the material through which the electrical energy flows avoiding a braking effect which would retard the desired motion of said magnetic source.

**19.** The method of Claim 15, wherein step "a" is achieved by said material being a super conducting material and said separate magnetic mass is at least equivalent to a cryogenic magnet.

**20.** The method of Claim 15, wherein step "a" is achieved by the step of having said material a conducting material and said separate magnetic mass of any desired configuration or strength or type.

**21.** The method of increasing the availability of usable electrical energy, or usable motion, or both, comprising the steps of:

**a.** providing a magnetic device which has a material mass into which an electrical current is introduced, by any desired means, which results in causing pertinent atom alignment, within said material mass, thereby releasing some of the electromagnetic energy making up the atoms of said material mass, in the form of a magnetic field, which then causes the gyroscopic type energy particles of said magnetic field to then interact with the gyroscopic type energy particles making up a magnetic field coming from the atoms of a different material mass; and

**b.** having the magnetic device then cause a release of electrical current or usable motion or both through at least one power outlet and resulting in producing a greater energy output than energy input into the device.

**22.** The method of Claim 21, wherein the material mass or masses are made of a material or substance that allows for extremely fast atom alignment, without the delay, or conventional degree of hysteresis losses normally associated with conventional iron atom alignment.

**23.** A device which increases the availability of usable electrical energy or usable motion, or both, by causing the atoms of a material or materials to release some of their magnetic energy makeup in the form of a magnetic field, consisting of gyroscopic type energy particles which make up the atoms of the material from which the magnetic field comes; and a properly designed mechanism, or power output arrangement being place to utilise the energy of said gyroscopic type energy particles, causing a release of energy output greater than energy input without producing radioactive material.

**24.** A device which increases the availability of usable electrical energy or usable motion, or both, from a given mass or masses by a device causing a controlled release of, or reaction to, the gyroscopic type energy particles making up or coming from the atoms of the mass or masses, which in turn, by any properly designed system, causes an energy output greater than the energy input.

**25.** A system including an energy generator, motor, etc.

of any design or mechanism that takes into account- the reaction to a force of the gyroscopic type energy particles moving in a magnetic field at tremendous speeds which releases greater output than energy input.

**26.** The system of Claim 25, wherein a small input of electrical current into the mechanism causes extremely quick and high atom alignment, resulting from using a super conducting material, thereby creating a powerful magnetic field, whereby its gyroscopic type energy particles then interact with the gyroscopic type energy particles coming from a second powerful magnetic field and results in producing a greater output of energy than input of energy into the mechanism.

**27.** The system of Claim 25, wherein a structure is arranged, whereby, there is, or will be, a pressure, or force, exerted on or in said structure, thereby causing the atoms of said structure to react to said pressure or force, and as a result take a pertinent atom alignment direction that results in said atoms of said structure then causing the gyroscopic type energy



particles moving in the magnetic field to be generally deflected in the same direction through said structure, which results in usable electric current flow, producing a greater energy output, than energy input into the system.

**28.** The system of Claim 25, wherein a rotary magnetic mass is designed to react to a reversing magnetic field of another mass, and said reversing magnetic field can not reverse any faster than the atoms of said other mass can flip and realign; said rotary magnet mass being made as long as is practical to adjust to this requirement, wherein the distance of the arc of circle travelled by the ends of said rotary magnet mass is great; great leverage from said reversible magnetic field of other mass being applied to said rotary magnet, and in addition the increased distance of arc travelled by the ends of rotary magnet before the magnetic field of said other mass reverses, greatly increasing the time in which a maximum force is exerted by the gyroscopic type energy particles moving in the magnetic field coming from the maximum number of atoms aligned in said other mass, thereby causing a longer time of acceleration of said rotatable magnet mass before the atoms of said other mass are required to reverse.

**29.** The method of producing usable energy, comprising the following steps:

- a.** imputing energy into a device from an external source;
- b.** having electrical current flow within said device; and
- c.** utilising the internal electromagnetic energy of at least some of the matter in the device to add to the energy being imputed into the device from the external source to produce useful energy for use outside of the device having an amount greater than the energy being imputed to the device.